


Special Features

- Stainless steel case & measuring system
- Rugged construction
- Dry or liquid filled
- Standard followed in general EN 837-1

Application

- Food & beverage
- Engine compressors
- Diesel engines
- Equipments
- Nuclear power plants
- Pharmaceutical
- Turbines
- Hydraulic
- Petrochemical industries
- Hydro-cleaning machines
- Refrigerating plants and gaseous / liquid media that will not obstruct the pressure system.
- Pumps
- Chemical
- Conventional
- Presses

Specifications
Standard Version : 50 mm & 63 mm

Accuracy	:	± 1.6% of F. S.(For NS 63 mm) & ±2.5% of F. S.(For NS 50 mm)
Ambient temperature	:	- 25°C to + 65°C
Process temperature	:	Max 200°C
Operating pressure	:	75 % of Scale Value
Over pressure limit	:	≤ 100 bar : 125% of Max. Scale Value
	:	> 100 to ≤ 600 bar : 115% of Max. Scale Value
	:	> 600 to ≤ 1600 bar : 110% of Max. Scale Value

Case & Bezel	:	AISI 304 SS (Bayonet type)
Socket	:	AISI 316L SS (Directly welded to Case)
Bourdon	:	AISI 316L SS
Movement	:	AISI 304 SS
Joints	:	Tig Argon Arc Welding

Protection	:	IP 65
Dial	:	Aluminium, black graduation on white background
Pointer	:	Black Coloured, Fixed
Window	:	Polycarbonate Glass for 63 mm & Plexi Glass for 50 mm
Filling Plug	:	Nitrile
Gasket	:	Neoprene for Bayonet type & Silicon rubber for rolling type

Dry but fillable version (option FG)

Fillable Dampening Liquid	:	Glycerine 99.7%
Ambient Temperature	:	Maximum 65°C
Process Temperature	:	Maximum 65°C
Other Features	:	Refer Specification of Standard Version

Glycerine filled version (option PY)

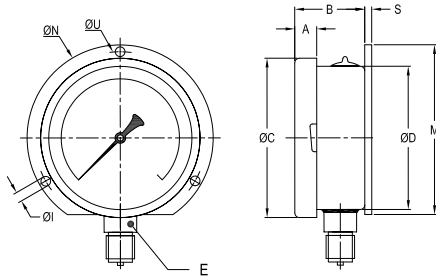
Accuracy	:	±1.6% of F. S.(For NS 63 mm) & ±2.5% of F. S.(For 50 mm)
Ambient Temperature	:	Maximum 65°C
Process Temperature	:	Maximum 65°C
Window	:	Polycarbonate Glass for 63 mm & Plexi Glass for 50 mm
Dampening Liquids	:	Glycerine 99.7%
Other Features	:	Refer Specification of Standard Version

Temperature effect:

The variation of indication caused by effects of temperature is to be calculated by below formula; which is to be added in the specified accuracy while measurement :- Formula : $\pm 0.04 \times (t_2 - t_1) \% \text{ of F. S.}$ where t_1 = reference temperature (+20°C) and t_2 = ambient temperature in °C.

Dimensions - standard version

TYPE 1

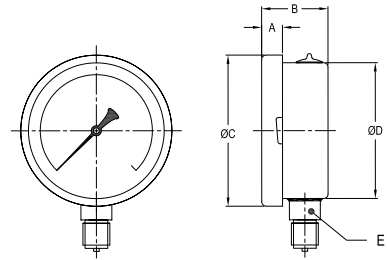


Bayonet Type

NS	A*	B	ØC	ØD	E	S	ØN	ØI	ØU	M	Weight in gram (With Box)	Weight in gram (With Glycerin Box)
50	11	32.5	58.5	51	Sq 14	7	86	3.6	75	80	215.0	265.0
63	11	32	69.5	62.5	Sq 14	7	86	3.6	75	80	215.0	265.0

* This dimension will be 12 mm in case of Shatterproof / Safety Glass

TYPE 2

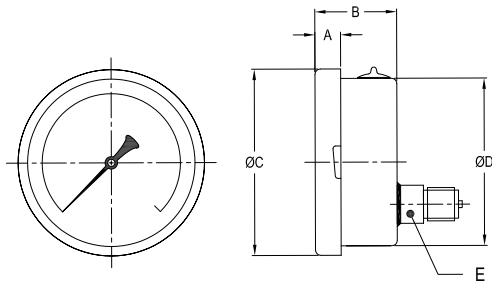


Bayonet Type

NS	A*	B	ØC	ØD	E	Weight in gram (With Box)	Weight in gram (With Glycerin Box)
50	11	32.5	58.5	51	Sq 14	153.0	210.0
63	11	32	69.5	62.5	Sq 14	180.0	240.0

* This dimension will be 12 mm in case of Shatterproof / Safety Glass

TYPE 3

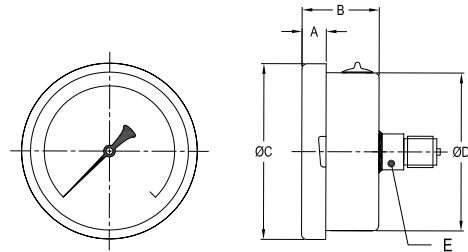


Bayonet Type

NS	A*	B	ØC	ØD	E	Weight in gram (With Box)	Weight in gram (With Glycerin Box)
50	11	32.5	58.5	51	Sq 14	170.0	230.0
63	11	32	69.5	62.5	Sq 14	188.0	250.0

* This dimension will be 12 mm in case of Shatterproof / Safety Glass

TYPE 4

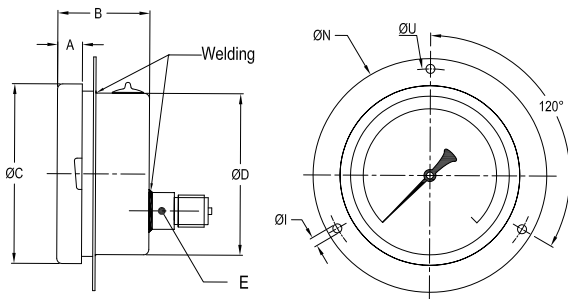


Bayonet Type

NS	A*	B	ØC	ØD	E	Weight in gram (With Box)	Weight in gram (With Glycerin Box)
50	11	32.5	58.5	51	Sq 14	170.0	230.0
63	11	32	69.5	62.5	Sq 14	188.0	250.0

* This dimension will be 12 mm in case of Shatterproof / Safety Glass

TYPE 5

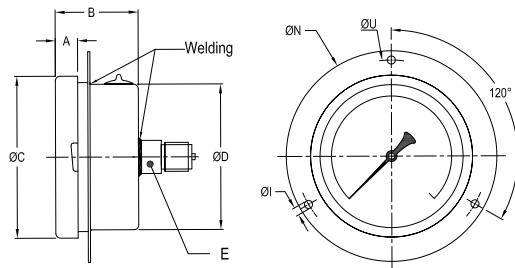


Bayonet Type

NS	A*	B	ØC	ØD	E	ØN	ØI	ØU	Weight in gram (With Box)	Weight in gram (With Glycerin Box)
63	11	32	69.5	62.5	Sq 14	86	3.6	75	213.0	275.0

* This dimension will be 12 mm in case of Shatterproof / Safety Glass

TYPE 12



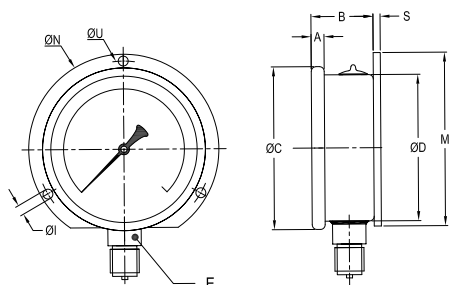
Bayonet Type

NS	A*	B	ØC	ØD	E	ØN	ØI	ØU	Weight in gram (With Box)	Weight in gram (With Glycerin Box)
63	11	32	69.5	62.5	Sq 14	86	3.6	75	213.0	275.0

* This dimension will be 12 mm in case of Shatterproof / Safety Glass

Dimensions - standard version

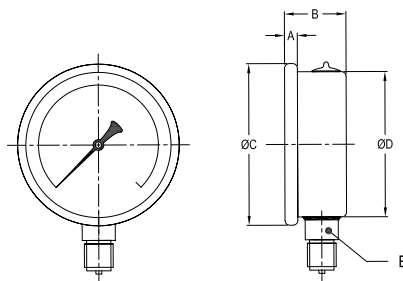
TYPE 1



Rolling Type

NS	A	B	ØC	ØD	E	S	ØN	ØI	ØU	M	Weight in gram (With Box)	Weight in gram (With Glycerin Box)
50	6.5	30.5	69	62.5	Sq 14	7	86	3.6	75	80	190.0	250.0
63	6.5	30.5	69	62.5	Sq 14	7	86	3.6	75	80	190.0	250.0

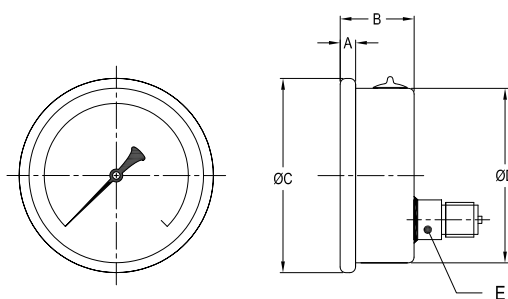
TYPE 2



Rolling Type

NS	A	B	ØC	ØD	E	Weight in gram (With Box)	Weight in gram (With Glycerin Box)
50	5	29	57.5	51.5	Sq 14	125.0	185.0
63	6.5	30.5	69	62.5	Sq 14	140.0	200.0

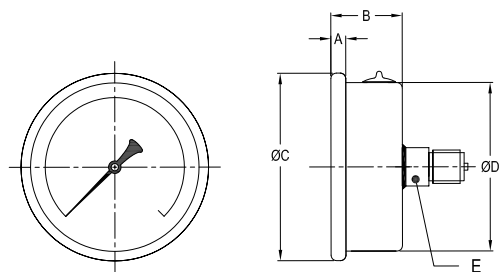
TYPE 3



Rolling Type

NS	A	B	ØC	ØD	E	Weight in gram (With Box)	Weight in gram (With Glycerin Box)
50	4.5	29	57.5	51.5	Sq 14	117.0	167.0
63	6.5	30.5	69	62.5	Sq 14	170.0	230.0

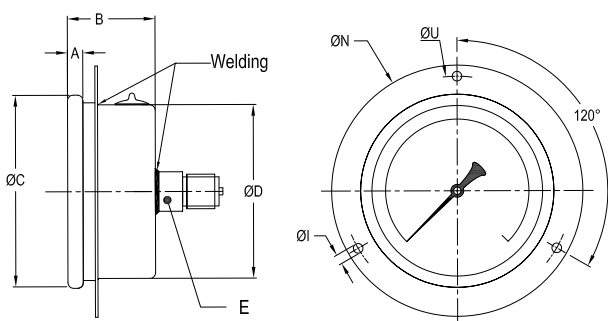
TYPE 4



Rolling Type

NS	A	B	ØC	ØD	E	Weight in gram (With Box)	Weight in gram (With Glycerin Box)
50	4.5	29	57.5	51.5	Sq 14	117.0	167.0
63	6.5	30.5	69	62.5	Sq 14	170.0	230.0

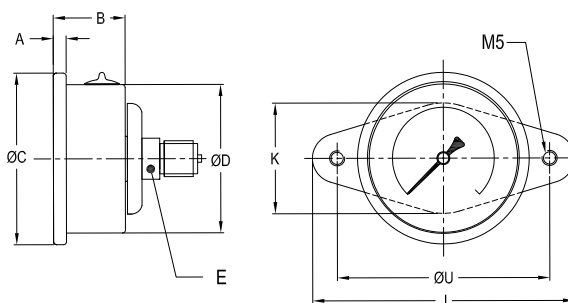
TYPE 12



Rolling Type

NS	A	B	ØC	ØD	E	ØN	ØI	ØU	Weight in gram (With Box)	Weight in gram (With Glycerin Box)
50	6.5	30.5	69	62.5	Sq 14	86	3.6	75	220.0	280.0
63	6.5	30.5	69	62.5	Sq 14	86	3.6	75	220.0	280.0

TYPE 13



Rolling Type

NS	A	B	ØC	ØD	E	J	K	ØU	Weight in gram (With Box)	Weight in gram (With Glycerin Box)
50	5	29	57	51.5	Sq 14	91	38	70.5	180.0	240.0
63	6.5	30.5	69	62.5	Sq 14	91	38	70.5	210.0	270.0

Notes : • Drawings are not to scale. • All Dimensions are in mm . • NS = Nominal size
 • Weights mentioned are approximate and for standard product. Weight can be different after selection of options.

Design and specifications subject to change without notice

Range Table

Note : We offer Pressure ranges, Vacuum ranges and Compound ranges in Scales like kPa, MPa, bar, psi, kg/cm² & Dual Scale like kPa with psi, kPa with bar, bar with psi or scales as per the requirement can be provided on request. Following are the example tables for kg/cm² & psi scales.

Range with nominal sizes

Nominal size

Range (psi with kg/cm ²)		50 mm	63 mm
psi	kg/cm ²		
-30 inHg / 0	-760 mmHg / 0	✓	✓
0/15 psi	0/1 kg/cm ²	✓	✓
0/30 psi	0/2 kg/cm ²	✓	✓
0/60 psi	0/4 kg/cm ²	✓	✓
0/100 psi	0/7 kg/cm ²	✓	✓
0/150 psi	0/10 kg/cm ²	✓	✓
0/220 psi	0/16 kg/cm ²	✓	✓
0/300 psi	0/20 kg/cm ²	✓	✓
0/400 psi	0/28 kg/cm ²	✓	✓
0/500 psi	0/35 kg/cm ²	✓	✓
0/600 psi	0/42 kg/cm ²	✓	✓
0/1000 psi	0/70 kg/cm ²	✓	✓
0/1500 psi	0/100 kg/cm ²	✓	✓
0/2200 psi	0/160 kg/cm ²	✓	✓
0/3000 psi	0/200 kg/cm ²	✓	✓
0/4000 psi	0/280 kg/cm ²	✓	✓
0/5000 psi	0/350 kg/cm ²	✓	✓
0/6000 psi	0/400 kg/cm ²	✓	✓
0/10000 psi	0/700 kg/cm ²	×	✓
0/15000 psi	0/1000 kg/cm ²	×	✓
- 30inHg /30	- 1/2 kg/cm ²	×	✓
- 30inHg /60	- 1/4 kg/cm ²	×	✓
- 30inHg /100	- 1/7 kg/cm ²	×	✓
- 30inHg /150	- 1/10 kg/cm ²	×	✓
- 30inHg /200	- 1/14 kg/cm ²	×	✓
- 30inHg /300	- 1/21 kg/cm ²	×	✓

Ammonia with temperature scale

- 30" Hg / 150 psi		×	✓
- 30" Hg / 300 psi		×	✓
0/300 psi		×	✓
-1/12.5 kg/cm ²		×	✓
-1/16 kg/cm ²		×	✓
-1/25 kg/cm ²		×	✓

Accessories (refer datasheet for complete specifications)

EC	Gauge cock	EG	Snubber
ED	Overload protector (gauge saver)**	EH	Siphon
*	Needle valve	EB	Cooling tower

* Refer catalogue for Valves & Manifolds

** For Pressure Ranges.

How To Order
Example
Basic Model
Code

AD

Nominal Size

50 mm

63 mm

Code
C
D

X

Type of Mounting

1	Wall/ surface/ projection mounting With bottom entry	×	✓
2	Direct bottom entry	✓	✓
3	Direct lower back entry	×	✓
4	Direct center back entry	✓	✓
5	Lower back entry with front flange	×	✓
12	Center back entry with front flange	×	✓
13	Center back entry with mounting bracket *	✓	✓

 X
OR
XX

Note : *Applicable for Rolling type design only.

Gauge Connection
C
D

1BM	1/8" BSP(M)	✓	✓
1NM	1/8" NPT(M)	✓	✓
1TM	1/8" BSPT(M)	✓	✓
2BM	1/4" BSP(M)	✓	✓
2NM	1/4" NPT(M)	✓	✓
2TM	1/4" BSPT(M)	✓	✓

XXX

Consult factory for minimum order quantity, price & delivery.

Note : Connections like Metric/ PT/ PF/ Flaired/ UNF/ G/ R etc. can be provided on request.

Range

Refer range table

 0/10
kg/cm²
Optional Extras

RH	Custom designed dial	SX	SS tag plate
SG	Oxygen service (for dry version)	TB	Helium leak test
PS	AISI 316 SS case & bezel	QB	Integral dampening screw (AISI 316 SS)
SQ	Case with rolling type bezel	SJ	Maximum reading pointer with plexi glass (for dry version)*
PW	Five point calibration certificate	RX	Shatterproof / safety glass (for bayonet type design)
FG	Fillable liquid glycerine	RZ	Toughened glass (for bayonet type design)
PY	Dampening liquid glycerine filled	RR	Enclosure protection IP 66
RI	25 mm BOD (except mounting 4, 12 & 13)*	RE	Enclosure protection IP 67
GH	Material test certificates****	PU	Calibration certificate traceable to National/ International standards
ZC	Freon range (with temperature scale)*	SF	Movement with dampening jelly
		ZD	Ammonia range (with temperature scale)*

XX

* Applicable for NS 63 mm.

****Material test certificates will be provided for wetted parts only with chemical composition testing. For others, please consult factory.

Ordering Example: AD . X . X OR XX . XXX . 0/10 kg/cm² . XX

For other optional items, please contact factory for delivery and minimum quantity of order.

 Note : Specifications and dimensions given in this product catalogue represents the state of engineering at the time of printing .
 Modifications may take place and materials specified may be replaced by others without prior notice.